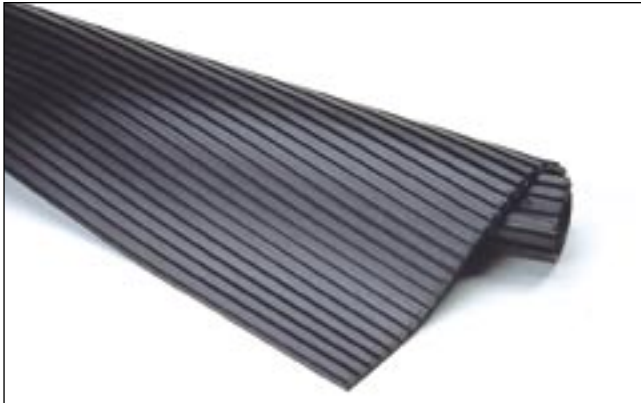


● Novibra[®] AV Plate



Features

The AV Plate, made of oil and grease resistant rubber material, is available either as a single (4.5 mm) or as a double (8 mm) version. The single version has ribs on one side only, while the double has ribs on both sides applied at a 90 degree angle to each other.

Good performance is obtained when using the Novibra[®] AV Plate in the building and construction industry as support pads between flooring and joists. This application provides for cushioning of loads and isolation of high frequency vibrations within the building.

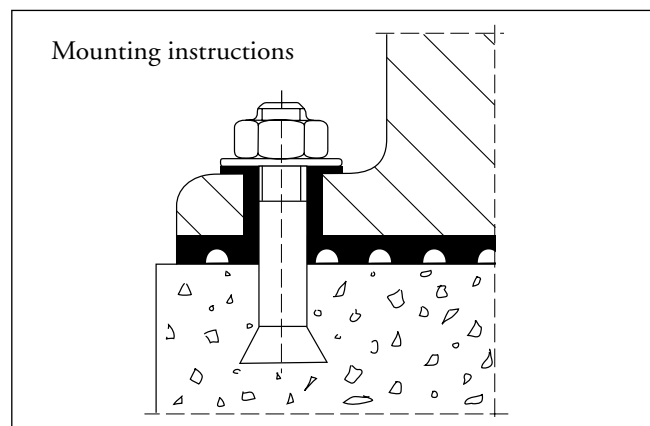
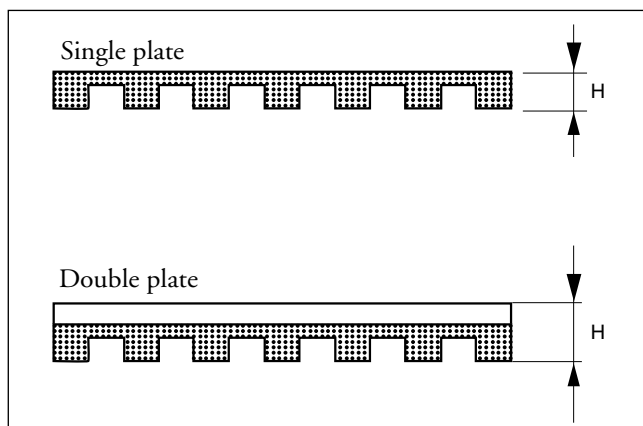
Novibra[®] type AV Plate

The Anti-Vibration Plate is intended, primarily, for applications with low requirement for vibration isolation. Typical installations are machinery generating vibrations in the high frequency range, and tall unstable installations, requiring secure attachments to the foundation.

If insufficient deflection is achieved with a single layer, multiple layers can be used by separating each layer with a weight distributing steel plate. In order to avoid direct contact between machine and foundation, a rubber bushing (e.g. rubber hose) should be installed in the mounting holes prior to installation of bolt and rubber washer. See "Mounting instructions" on this page.

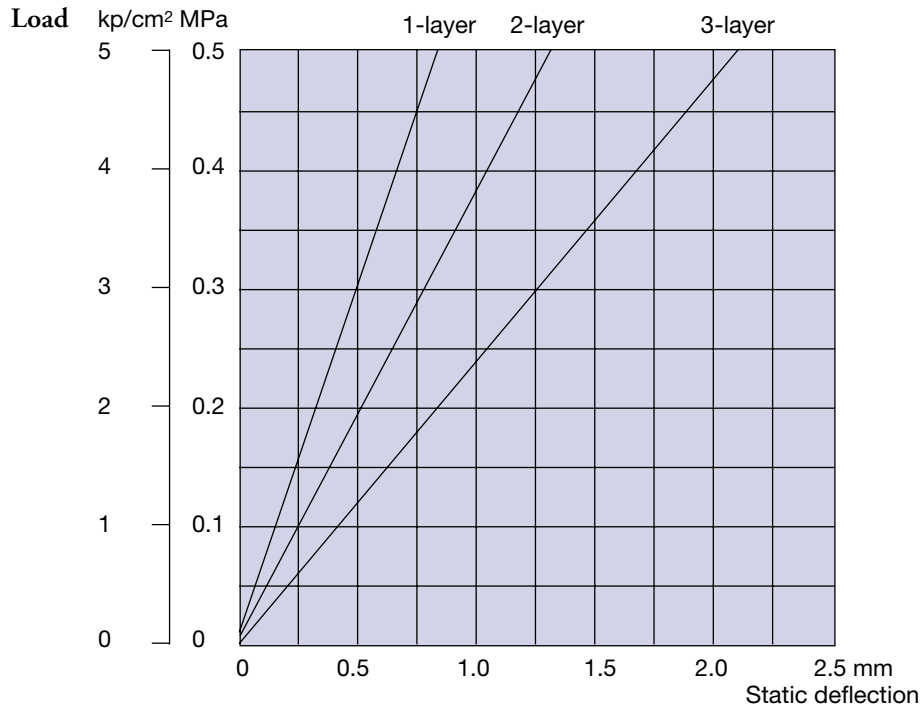
Suitable applications are:

- Pillar drills
- Transformers
- Large pumps
- Printing presses
- Industrial fans
- Horizontal drill presses
- Textile machinery
- Large forging presses



Type	Part no.	Dimensions in mm		Weight (kg)	M-max load kg/cm ²
		LxB	H		
Single plate	10-00019-01	600x500	4.5	1.210	5
Double plate	10-00020-01	600x500	8.0	1.815	5

Single Novibra[®] AV Plate



Double Novibra[®] AV Plate

