

● Bobbins

Trelleborg Industrial AVS - Bobbins

A supplementary range of cylindrical mountings for a wide range of applications. They can be loaded either in compression or shear taking into consideration individual demands for actual applications.

Manufactured in natural rubber hardness 40° IRH or 60° IRH.



Type A



Type B



Type C



Type D

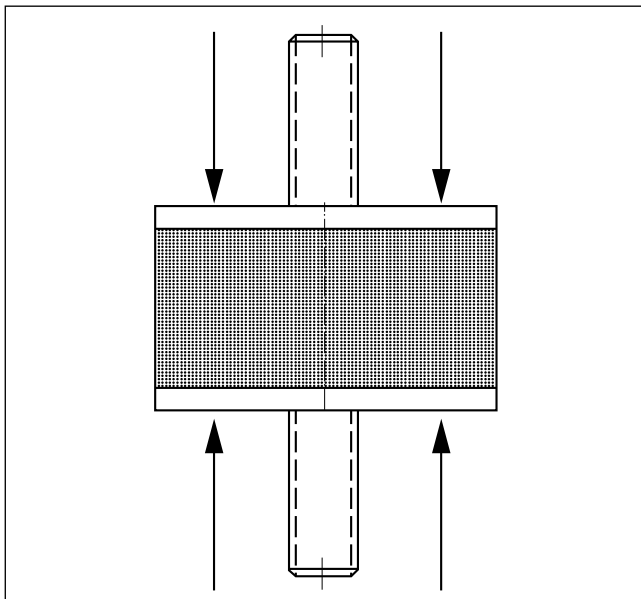


Type KD

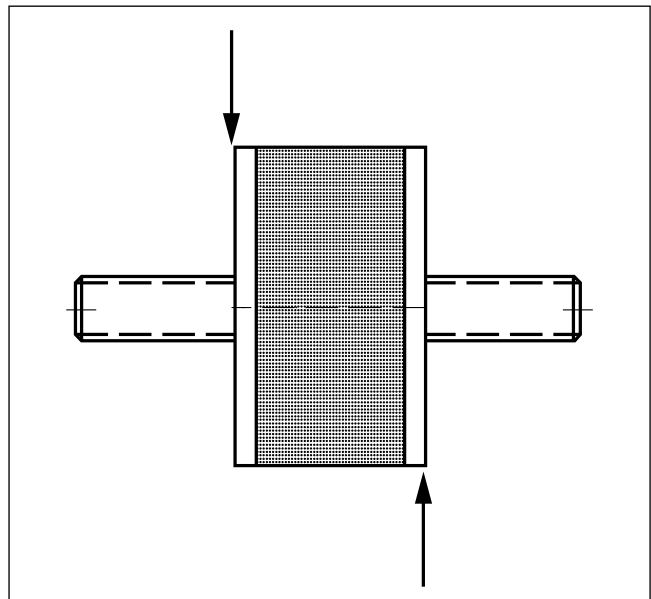


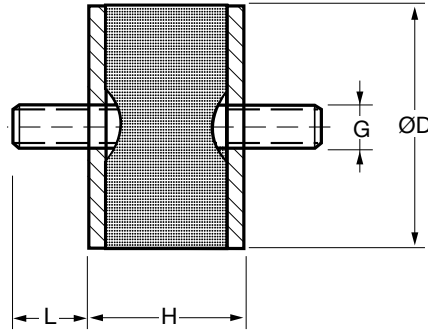
Type E

Compression load



Shear load

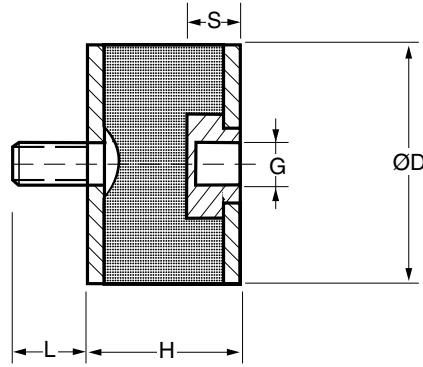




Cylindrical mountings type A

Type D/H	GxL	Part no. 40° IRH	Part no. 60° IRH	40° IRH				60° IRH				
				Compression load		Shear load		Compression load		Shear load		
				k_{comp} (N/mm)	F_{max} (N)	k_{shear} (N/mm)	F_{max} (N)	k_{comp} (N/mm)	F_{max} (N)	k_{shear} (N/mm)	F_{max} (N)	
A	10/10	M4x10	20-00553-01					55	75	10	30	
A	10/15	M4x10	20-01066-01					30	55	6	25	
A	15/10	M4x10	20-01067-01					135	150	22	50	
A	15/15	M4x10	20-01068-01					75	135	13	50	
A	20/10	M6x15	20-00418-01	20-00419-01	162	170	19	42	310	325	40	90
A	20/15	M6x15	20-00670-01	20-00555-01	70	123	11	42	145	255	25	90
A	20/20	M6x15	20-00659-01	20-00541-01	45	110	8	42	95	235	20	90
A	20/25	M6x15	20-00420-01	20-00556-01	33	105	6	42	70	225	15	90
A	20/30	M6x15	20-00421-01	20-00422-01	27	102	5	42	60	220	10	90
A	25/10	M6x15	20-00423-01	20-00424-01	314	330	29	66	575	600	65	145
A	25/15	M6x15	20-00425-01	20-00426-01	123	215	18	66	245	430	40	145
A	25/20	M6x15	20-00427-01	20-00428-01	75	184	13	66	155	385	25	145
A	25/25	M6x15	20-00429-01	20-00430-01	54	171	10	66	115	365	20	145
A	25/30	M6x15	20-00431-01	20-00432-01	43	164	8	66	95	355	15	145
A	30/15	M8x20	20-00433-01	20-00561-01	237	378	28	95	455	725	60	210
A	30/20	M8x20	20-00434-01	20-00543-01	129	295	19	95	260	600	40	210
A	30/25	M8x20	20-00435-01	20-00436-01	88	263	15	95	185	550	30	210
A	30/30	M8x20	20-00611-01	20-00562-01	67	248	12	95	145	530	25	210
A	30/40	M8x20	20-00437-01	20-00438-01	46	233	9	95	100	510	20	210
A	40/20	M8x20	20-01069-01	20-01070-01	275	632	34	170	535	1225	75	370
A	40/30	M8x20	20-00439-01	20-00440-01	130	481	21	170	270	1000	45	370
A	40/40	M8x20	20-00441-01	20-00442-01	86	437	16	170	185	935	35	370
A	50/20	M10x25	20-00443-01	20-00444-01	564	1248	56	265	1040	2305	120	580
A	50/25	M10x25	20-00445-01	20-00446-01	335	976	42	265	650	1900	95	580
A	50/30	M10x25	20-00635-01	20-00565-01	234	846	34	265	470	1705	75	580
A	50/35	M10x25	20-01071-01	20-01072-01	180	774	29	265	370	1600	60	580
A	50/40	M10x25	20-00447-01	20-00545-01	146	730	25	265	305	1535	55	580
A	50/45	M10x25	20-00448-01	20-00566-01	123	701	22	265	260	1490	45	580
A	50/50	M10x25	20-00449-01	20-00546-01	106	681	19	265	230	1460	40	580
A	75/40	M12x35	20-00450-01	20-00451-01	417	2032	57	596	825	4030	125	1300
A	75/50	M12x35	20-00452-01	20-00453-01	282	1766	44	596	580	3630	95	1300
A	75/55	M12x35	20-00454-01	20-00455-01	242	1689	40	596	505	3515	85	1300
A	100/40	M16x45	20-00456-01	20-00457-01	932	4541	102	1060	1755	8550	220	2310
A	100/55	M16x45	20-00458-01	20-00459-01	496	3455	71	1060	995	6930	155	2310

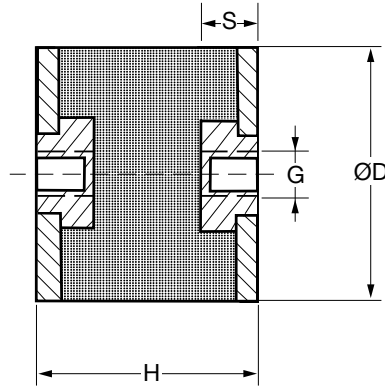
● Bobbins



Cylindrical mountings type B

Type	D/H	GxL (S)	Part no. 60° IRH	60° IRH		Shear load	
				Compression load k_{comp} (N/mm)	F_{max} (N)	k_{shear} (N/mm)	F_{max} (N)
B	10/10	M4x10(4)	20-00569-01	60	55	10	25
B	10/15	M4x10(4)	20-01063-01	35	50	5	25
B	15/15	M4x10(4)	20-01073-01	80	125	15	50
B	20/15	M6x15(6)	20-00570-01	160	240	25	90
B	20/20	M6x15(6)	20-00571-01	105	220	20	90
B	20/25	M6x15(6)	20-00460-01	80	215	15	90
B	25/15	M6x15(6)	20-00572-01	270	405	40	145
B	25/20	M6x15(6)	20-00461-01	170	360	25	145
B	25/25	M6x15 (6)	20-00462-01	125	340	20	145
B	25/30	M6x15(6)	20-00463-01	100	335	15	145
B	30/15	M8x20(8)	20-01074-01	495	675	60	210
B	30/20	M8x20 (8)	20-00574-01	285	560	40	210
B	30/25	M8x20(8)	20-00464-01	200	515	30	210
B	30/30	M8x20 (8)	20-00575-01	155	495	25	210
B	30/40	M8x20(8)	20-00465-01	110	475	20	210
B	40/30	M8x20(8)	20-00466-01	295	935	45	370
B	40/40	M8x20(8)	20-00467-01	200	875	35	370
B	50/30	M10x25(10)	20-00468-01	515	1595	75	580
B	50/40	M10x25 (10)	20-00469-01	335	1435	55	580
B	50/50	M10x25 (10)	20-00579-01	250	1365	40	580
B	75/50	M12x35(12)	20-00470-01	630	3400	95	1300
B	75/55	M12x35 (12)	20-00471-01	550	3290	85	1300
B	100/40	M16x45 (16)	20-00472-01	1915	7995	220	2310
B	100/55	M16x45(16)	20-00473-01	1085	6480	155	2310

S = internal thread length

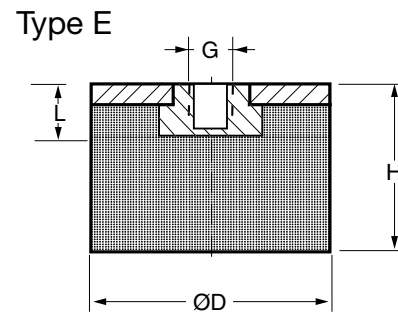
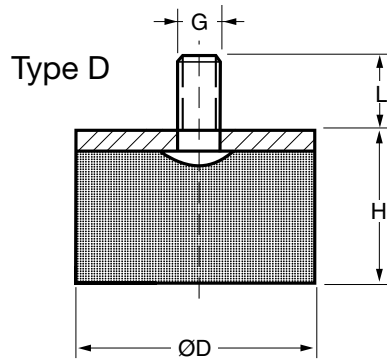


Cylindrical mountings type C

Type	D/H	G(S)	Part no. 60° IRH	60° IRH		Shear load	
				Compression load			
				k_{comp} (N/mm)	F_{max} (N)	k_{shear} (N/mm)	F_{max} (N)
C	15/15	M4(4)	20-00583-01	85	110	15	50
C	20/20	M6(4)	20-00361-01	115	200	18	90
C	20/25	M6(6)	20-00584-01	85	195	15	90
C	20/30	M6(6)	20-00363-01	70	190	10	90
C	25/20	M6(6)	20-00585-01	185	325	25	145
C	25/25	M6(6)	20-00474-01	135	310	20	145
C	30/25	M8(8)	20-00475-01	220	465	30	210
C	30/30	M8(8)	20-00550-01	170	445	25	210
C	30/35	M8(8)	20-01075-01	140	435	22	210
C	30/40	M8(8)	20-00476-01	120	430	19	210
C	40/30	M 8(8)	20-00551-01	320	845	45	370
C	40/40	M 8(8)	20-00587-01	215	790	35	370
C	50/30	M10(10)	20-00588-01	560	1440	75	575
C	50/35	M10(10)	20-00669-01	440	1350	60	575
C	50/40	M10(10)	20-00589-01	360	1295	55	575
C	50/45	M10(10)	20-00590-01	310	1255	45	575
C	50/50	M10(10)	20-00591-01	270	1230	40	575
C	75/36	M12(12)	20-00371-01	1180	3635	140	1300
C	75/40	M12(12)	20-00477-01	975	3400	125	1300
C	75/45	M12(12)	20-00478-01	805	3200	110	1300
C	75/50	M12(12)	20-00682-01	685	3065	95	1300
C	75/55	M12(12)	20-00552-01	595	2970	85	1300
C	100/40	M16(16)	20-00479-01	2075	7215	220	2310
C	100/45	M16(16)	20-00480-01	1655	6585	195	2310
C	100/50	M16(16)	20-00481-01	1375	6155	170	2310
C	100/55	M16(16)	20-00482-01	1175	5850	155	2310

S = internal thread length

● Bobbins



Cylindrical mountings type D/E/KD

Type D/H	GxL	Part no. 40° IRH	Part no. 60° IRH	Compression load	
				40° IRH F _{max} (N)	60° IRH F _{max} (N)
D 10/10	M4x10		20-01077-01		60
D 15/15	M4x10		20-01078-01		130
D 20/10	M6x15		20-00483-01		295
D 20/15	M6x15		20-00484-01		250
D 20/20	M6x15		20-00485-01		235
D 20/25	M6x15		20-00486-01		225
D 25/10	M6x15		20-00487-01		530
D 25/15	M6x15		20-00488-01		415
D 25/20	M615		20-00489-01		380
D 30/15	M8x20		20-00490-01		665
D 30/20	M8x20		20-00491-01		580
D 30/25	M8x20		20-00604-01		540
D 30/30	M8x20		20-00492-01		525
D 40/25	M8x20		20-00493-01		1045
D 40/30	M8x20		20-00494-01		985
D 40/40	M8x20		20-00495-01		930
D 50/20	M10x25		20-00496-01		2095
D 50/30	M10x25		20-00497-01		1655
D 50/40	M10x25		20-00498-01		1510
D 50/45	M10x25		20-00499-01		1475
D 75/40	M12x35		20-00500-01		3900
E 30/17	G(S) M8(8)	20-00594-01	20-00613-01	225	500
E 50/20	M10(10)		20-00501-01		1700
E 50/36	M10(10)	20-00607-01	20-00502-01	550	1100
E 50/45	M10(10)		20-00606-01		1000
KD 25/12	M6x16		10-00087-01		300
KD 25/17	M6x18		20-00598-01		250
KD 50/17	M10x28		20-00595-01		1400

S = internal thread length