



Trelleborg Industrial AVS - Height Adjusters

Type HA is available in various sizes to suit the small and medium range of Trelleborg Industrial AVS-mountings, as listed in the table below. It allows mountings to be retrofitted to existing installations where original spares are unobtainable.

Notes:

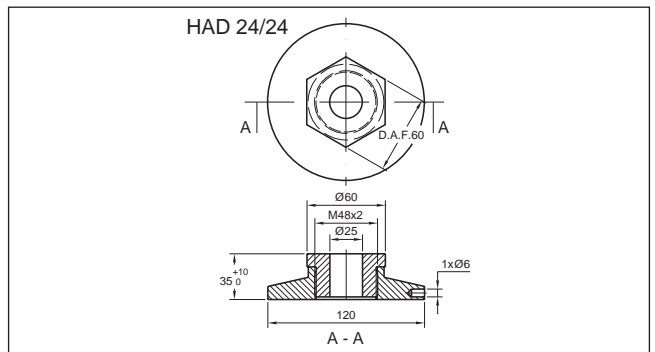
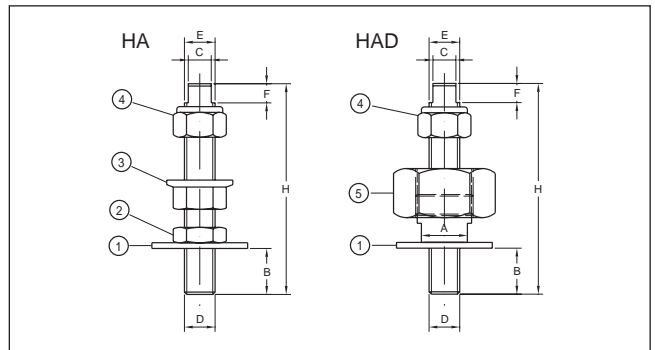
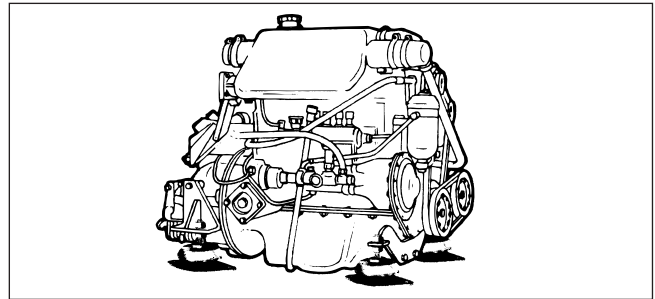
- For optimum solutions where close coupling tolerances are required, allow the mountings to settle for 48 hours before final alignment of the engine installation.
- For securing the bolt into the mounting, it is recommended to apply Loctite.
- The height adjuster HA can be used together with Novibra type M-mount. See description of M-mount.

Height Adjusters can be used together with

HA 12/12	RAB, RA 100 M 12, RA 200 M 12, RAEM 60,
HA 12/16	RAEM 125 M 12, RAEM 350 M 12, 17-1463,
HAD 12/16	Cushyfloat 17-1600, SIM 100
HA 16/16	RA 350 M 16, RA 500, RA 800,
HAD 16/16	RAEM M 16, RAEM 800,
HA 16/20	Cushyfloat 17-1609, SIM 200
HAD 16/20	Cushyfoot 17-0213, 17-0290, 17-0346
HA 20/20	Cushyfloat 17-1657, SIM 300
HAD 20/20	
HAD 24/24	Cushyfloat 17-1841

Features

Type HA is a height adjuster made in corrosion protected grade 8 steel. The steel is zinc plated and chromated according to DIN 50691/ISO 2081. The height adjuster is supplied complete with washer and nut for fastening to the mounting and two nuts and a lock washer for the engine foot fastening. The HA height adjustment facilitates precise coupling alignment for engine installations and boat building tolerances.



Type	Art.No.	Dimensions						1	2	3	4	5	
		H	D	E	A	B	C						F
HA 12/12	319800	95	M12	M12		20	D.A.F. 8	8	37x12x3	M12	M12	M12	
HA 12/16	319810	105	M12	M16		20	D.A.F. 12	10	44x15x3	M16	M16	M16	
HA 16/16	319820	110	M16	M16		24	D.A.F. 12	10	50x15x3	M16	M16	M16	
HA 16/20	319830	130	M16	M20		24	D.A.F. 12	10	56x20x4	M20	M20	M20	
HA 20/20	319840	135	M20	M20		30	D.A.F. 12	10	60x21x4	M20	M20	M20	
HAD 12/16	319850	105	M12	M16	D.A.F. 24	20	D.A.F. 12	10					M30x1.5
HAD 16/16	319860	110	M16	M16	D.A.F. 24	24	D.A.F. 12	10					M30x1.5
HAD 16/20	319870	130	M16	M20	D.A.F. 27	24	D.A.F. 12	10					M36x2
HAD 20/20	319880	135	M20	M20	D.A.F. 27	30	D.A.F. 12	10					M36x2
HAD 24/24	319890				See drawing								