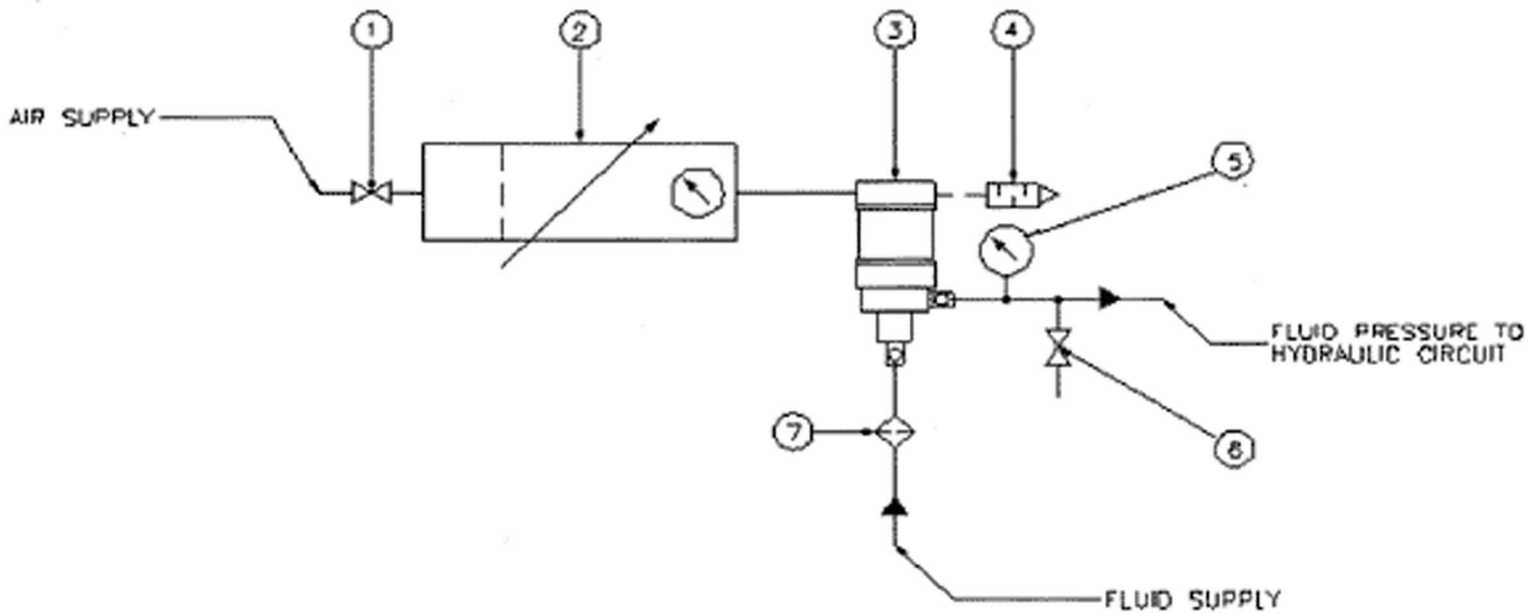


TYPICAL CIRCUIT FOR INSTALLATION



LEGENDA:

- 1- Air shut-off valve
- 2- Filter-regulator (piggyback) assembly
- 3- SC L3 series pump
- 4- Air exhaust muffler
- 5- Hydraulic pressure gauge
- 6- Fluid bleed valve
- 7- Hydraulic filter