

ENIDINE Innovations

New Rotary Rate Control Products from Enidine **Rotary Viscous Damper (RVD) for Precision Rotary Control**

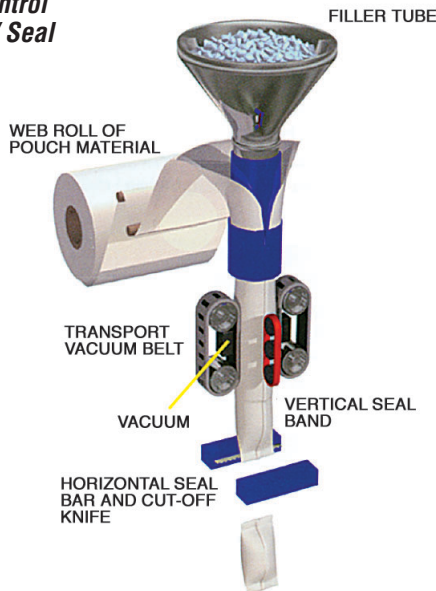


RVD expands our rotary motion control capabilities

Rotary Viscous Dampers provide smooth control in applications that require continuous or intermittent positioning, forward, reverse and fixed path motion. The RVD design combines low breakout friction with viscous damping to control bi-directional rotary motion in numerous applications.

Each RVD contains a solid, rotating element called a "rotor". This rotor is surrounded by a thin film of silicone fluid and sealed inside a stationary housing. The RVD's rotor provides resistance by shearing the silicone fluid, controlling the desired motion.

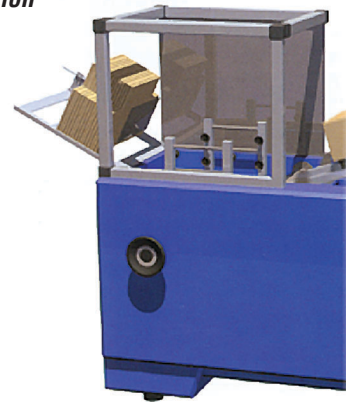
RVD Application Roll Feed Control Vertical Fill / Seal



Features and Benefits

- Safely and quietly controls rotary motion
- Low initial breakaway friction for precision torque control
- Provides consistent speed control through 360° of rotation, in both directions
- Compact, shaft-ready mounting design includes anti-rotation keyway
- Controls linear motion through simple mechanical integration
- Wide range of ambient operating conditions – indoor or outdoor, -20°F to +200°F (-30°C to +95°C)
- Customer-specified performance through 3 – 40 in-lbs. (0.4 – 4.5 Nm.) of Torque per unit
- Maintenance-free – no adjustments required

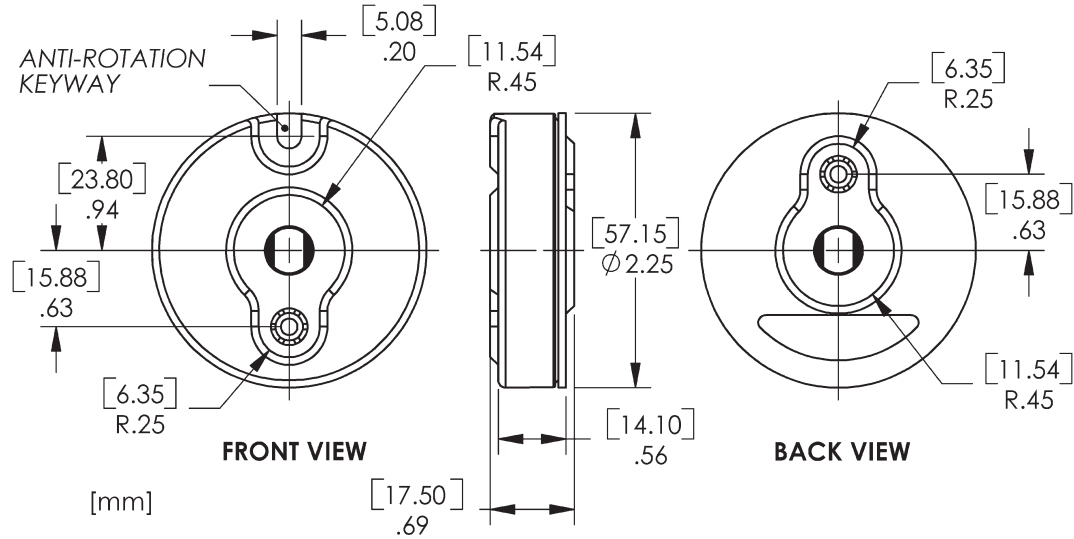
RVD Application Tilt Damper Case Erector



Common Applications

- OEM Office Machines – Rollers, lids and platens
- Conveying – Rollers, buckets and diverting arms
- Tilt Damping – Door hinges and access panels
- Roll Feed Control – Smooth web tension control
- Amusement industry – Safety cages and machine guards
- Pneumatic turn table speed control
- Mechanical Control – Levers, knobs, hand cranks, foot pedals along with cams, springs and linkages

Dimensional Data



Ordering Information

Specify Model Number
(example: RVD-010 __)

RVD -

001
005
010
030
060
100
300
600

“ ” Imperial
3/8" dia. with 1/4" flats

“ M ” Metric
9.2 mm dia. with 6.2 mm flats

Specify Required Shaft Size

Specify Required Fluid Viscosity x '000

Performance Characteristics

Breakaway Torque Requirements:

3.0 in-lbs. (0.4 Nm.) for fluids 1K, 5K, 10K, 30K (cSt.)
4.5 in-lbs. (0.5 Nm.) for fluids 60K, 100K, 300K (cSt.)
6.0 in-lbs. (0.8 Nm.) for fluids 600K (cSt.)

Dynamic Torque: Refer to Selection Guide.
(Torque values +/- 10%)

Operating Temperature: -20°F to +200°F (-30°C to +95°C)

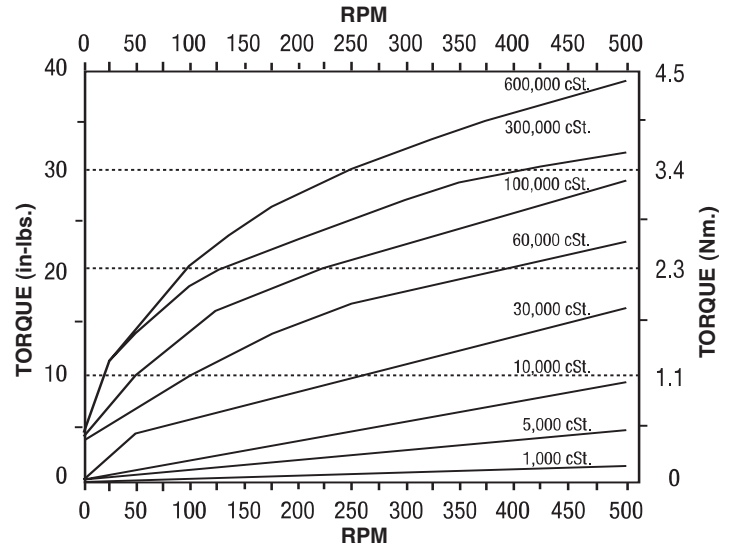
Description

Material: Housing – High impact strength Noryl® (modified phenylene oxide) resins
Rotor–Steel

Weight: 3.5 oz. (0.1 kg.)

Damping Medium: Silicone Fluid available in:
1K, 5K, 10K, 30K, 60K
100K, 300K, 600K cSt.

TORQUE BASED SELECTION GUIDE FOR VARIOUS SILICONE VISCOSITIES (cSt.)



World Headquarters

Enidine Incorporated
7 Centre Drive
Orchard Park, New York 14127 • USA
Tel: +1 716 662-1900
Fax: +1 716 662-1909
Hotline: 1-800-852-8508
techsales@enidine.com
www.enidine.com

Subsidiaries & Affiliates

Enidine West
184 Technology Drive
Suite 201
Irvine, California 92618 • USA
Tel: +1 949 727 9112
Fax: +1 949 727 9107
techsales@enidine.com
www.enidine.com

Enidine U.K.
Patrick Gregory Road
Wolverhampton, West Midlands
WV11 3DZ • United Kingdom
Tel: +44 1902 304000
Fax: +44 1902 305676
sales@enidine.co.uk
www.enidine.co.uk

Enidine GmbH
Rheinauenstr. 5
79415 Bad Bellingen
Rheinweiler • Germany
Tel: +49 7635 8101-0
Fax: +49 7635 8101 99
info@enidine.de
www.enidine.de

Enidine Co., Ltd.
398 Chigasaki-Cho, Tsuzuki-Ku
Yokohama-Shi, Kanagawa
224-0031 • Japan
Tel: +81-45 947 1671
Fax: +81-45 947 3967
www.enidine.co.jp

MAGRAL®
HIDRÁULICA E PNEUMÁTICA
www.magral.com.br - 11 6121-7202

ENIDINE
An IMC Company